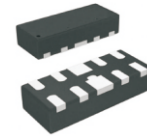


## CDBA10CST0130L-HF

**$I_F = 100 \text{ mA}$**   
 **$V_R = 30 \text{ Volts}$**   
**RoHS Device**  
**Halogen Free**



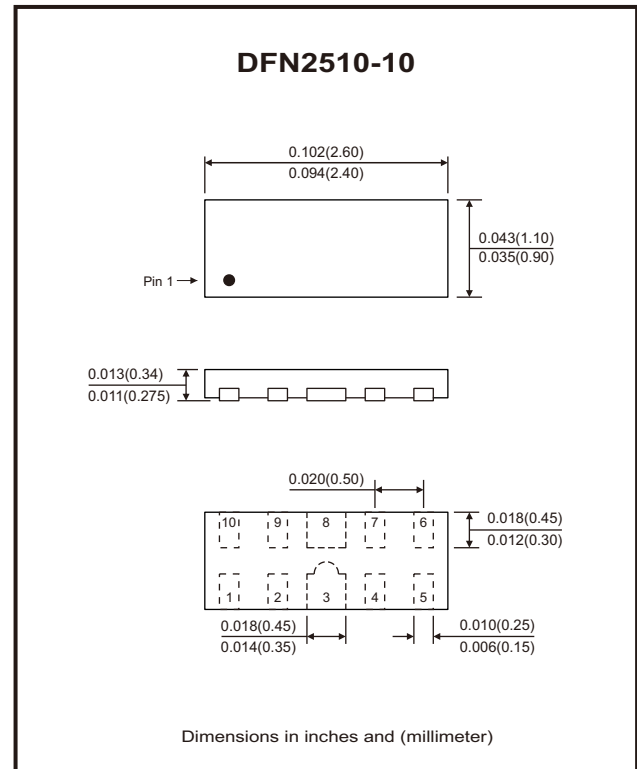
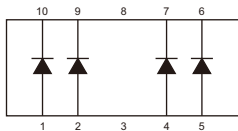
### Features

- Low forward voltage.
- Ultra small mold type.

### Mechanical data

- Case: DFN2510-10 package, molded plastic.
- Terminals: Gold plated, solderable per MIL-STD-750, method 2026.
- Mounting position: Any

### Circuit Diagram



### Maximum Rating (at $T_A=25 \text{ }^\circ\text{C}$ unless otherwise noted)

Parameter	Conditions	Symbol	Min	Typ	Max	Unit
Reverse voltage		$V_R$			30	V
Rectified forward current		$I_F$			100	mA
Junction temperature range		$T_J$	-55		+150	$^\circ\text{C}$
Storage temperature range		$T_{STG}$	-55		+150	$^\circ\text{C}$

### Electrical Characteristics (at $T_A=25 \text{ }^\circ\text{C}$ unless otherwise noted)

Parameter	Conditions	Symbol	Min	Typ	Max	Unit
Forward voltage	$I_F = 10 \text{ mA}$	$V_F$			0.37	V
Reverse current	$V_R = 10 \text{ V}$	$I_R$			7	$\mu\text{A}$

## Rating and Characteristic Curves (CDBA10CST0130L-HF)

Fig.1 - Forward Characteristics

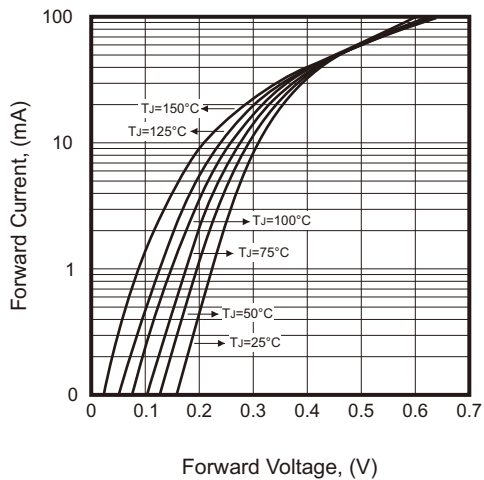


Fig.2 - Reverse Characteristics

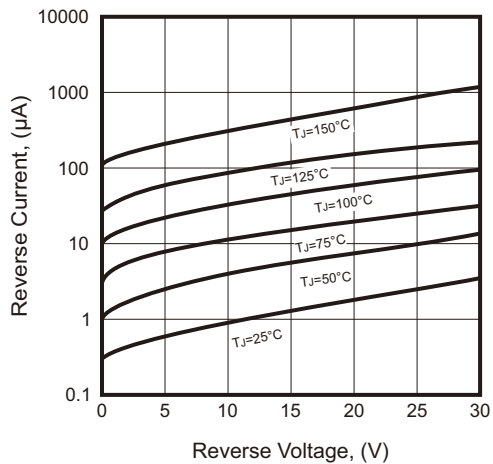


Fig.3 - Capacitance Between Terminals Characteristics

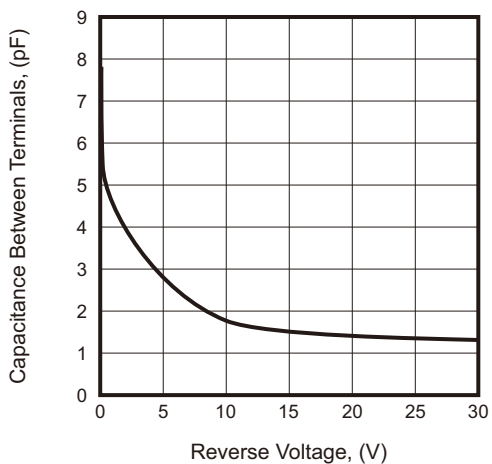
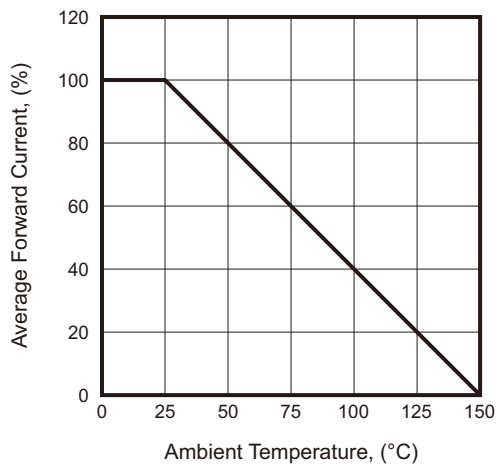
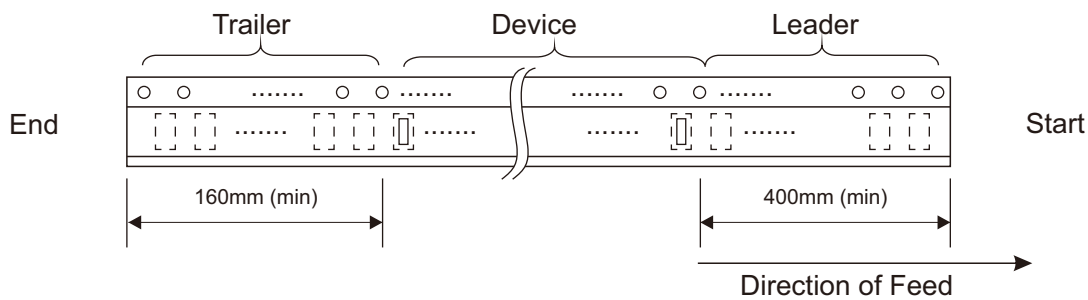
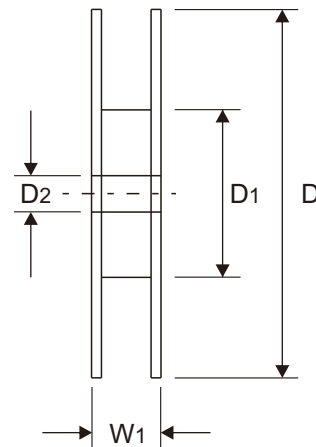
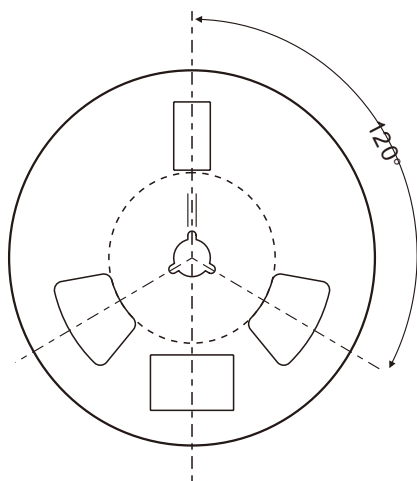
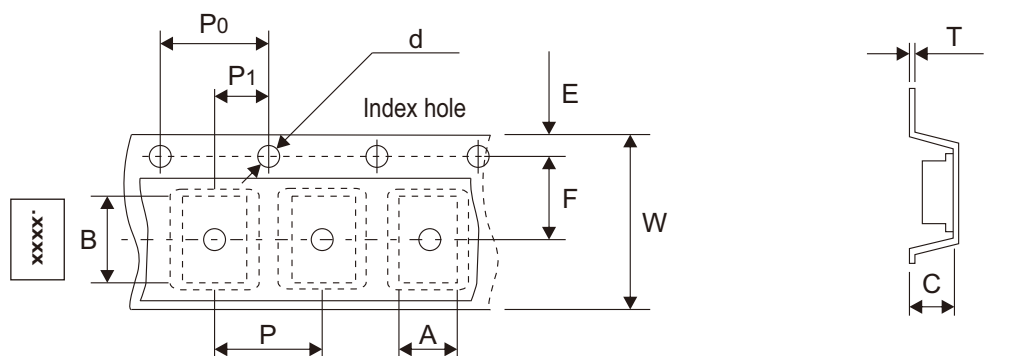


Fig.4 - Current Derating Curve



## Reel Taping Specification

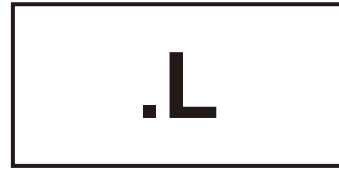


DFN2510-10	SYMBOL	A	B	C	d	D	D1	D2
	(mm)	1.15 ± 0.05	2.65 ± 0.05	0.45 ± 0.05	1.50 + 0.10 - 0.00	178.00 ± 1.00	60.00 ± 0.50	13.50 ± 0.20
	(inch)	0.045 ± 0.002	0.104 ± 0.002	0.018 ± 0.002	0.059 + 0.004 - 0.000	7.008 ± 0.039	2.362 ± 0.020	0.531 ± 0.008

DFN2510-10	SYMBOL	E	F	P	P0	P1	T	W	W1
	(mm)	1.75 ± 0.10	3.50 ± 0.05	4.00 ± 0.05	4.00 ± 0.05	2.00 ± 0.05	0.20 ± 0.02	8.00 ± 0.10	12.00 + 0.50 - 0.00
	(inch)	0.069 ± 0.004	0.138 ± 0.002	0.157 ± 0.002	0.157 ± 0.002	0.079 ± 0.002	0.008 ± 0.001	0.315 ± 0.004	0.472 + 0.020 - 0.000

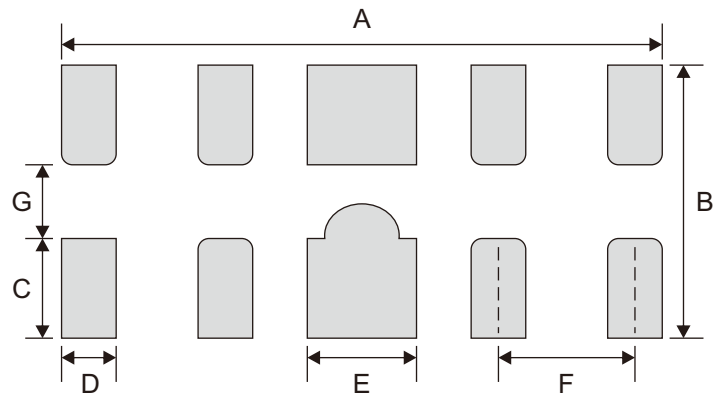
## Marking Code

Part Number	Marking Code
CDBA10CST0130L-HF	.L



## Suggested P.C.B. PAD Layout

SIZE	DFN2510-10	
	(mm)	(inch)
A	2.20	0.087
B	1.00	0.039
C	0.365	0.014
D	0.20	0.008
E	0.40	0.016
F	0.50	0.020
G	0.27	0.011



Note: 1. The pad layout is for reference purposes only.

## Standard Packaging

Case Type	REEL PACK	
	REEL ( pcs )	Reel Size (inch)
DFN2510-10	3,000	7